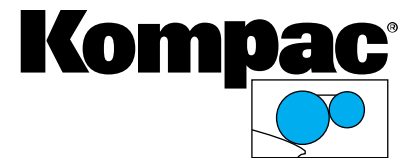


Kompac[®]



Date of Installation: _____

Unit Serial Number: _____

AB9900

Parts Catalog #94962 (Rev. I)

AB Dick Press Models:

9910, 9910XCS, 9910XC2, 9970

Kompac Technologies, LLC
7 Commerce Street
Somerville, NJ 08876
P: (800) 541-5702 (Toll Free U.S. & Canada)
P: (908) 534-8411
F: (908) 534-8412
info@kompactech.com
www.kompactech.com

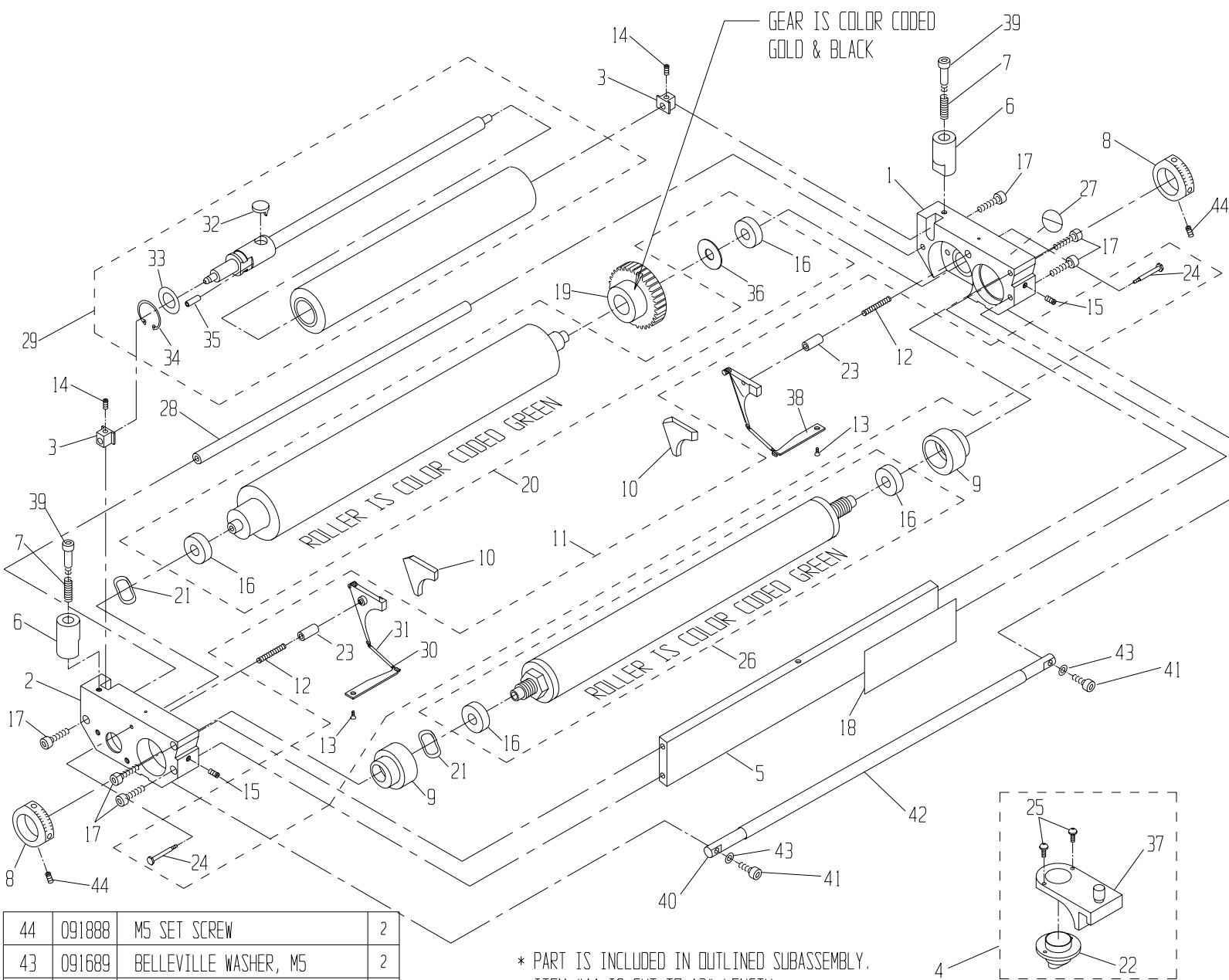
Last updated March 2010

AB 990 PARTS CATALOG

P/N 094962

8-96

REV	DESCRIPTION	ECN	BY	DATE
-	RELEASED TO PRODUCTION	1208	PM	8-19-96
A	92773 WAS 92771, 91117 WAS 91111	1281	BS	5-02-97
B	ADDED ITEM 39, ITEM #7 WAS 093466	1311	PM	7-8-97
C	DN UNIT, ADDED ITEMS 40, 41, 42.	1416	PM	6-24-98
D	DN BRKT KIT ITEM 15 WAS 091870, DN SAFETY KIT ITEM 7 WAS 93601	1451	PM	10-22-98
E	DN BRKT KIT, ITEM 16 WAS QTY 4	1550	PM	9-3-99
F	DN UNIT PAGE: ADDED ITEM #43 (P/N 091689)	1725	MJC	8-21-01
G	DN UNIT PAGE: MADE ITEM 42 ONE SINGLE BAR	1749	P.M.	1-31-02
H	DN UNIT PAGE: ITEM #29 (P/N 091319) WAS 094998	1782	MJC	11-8-02
I	DN UNIT PAGE: ITEM 8 WAS 94992, ADDED ITEM 44 (91888)	1855	PM	1-23-06

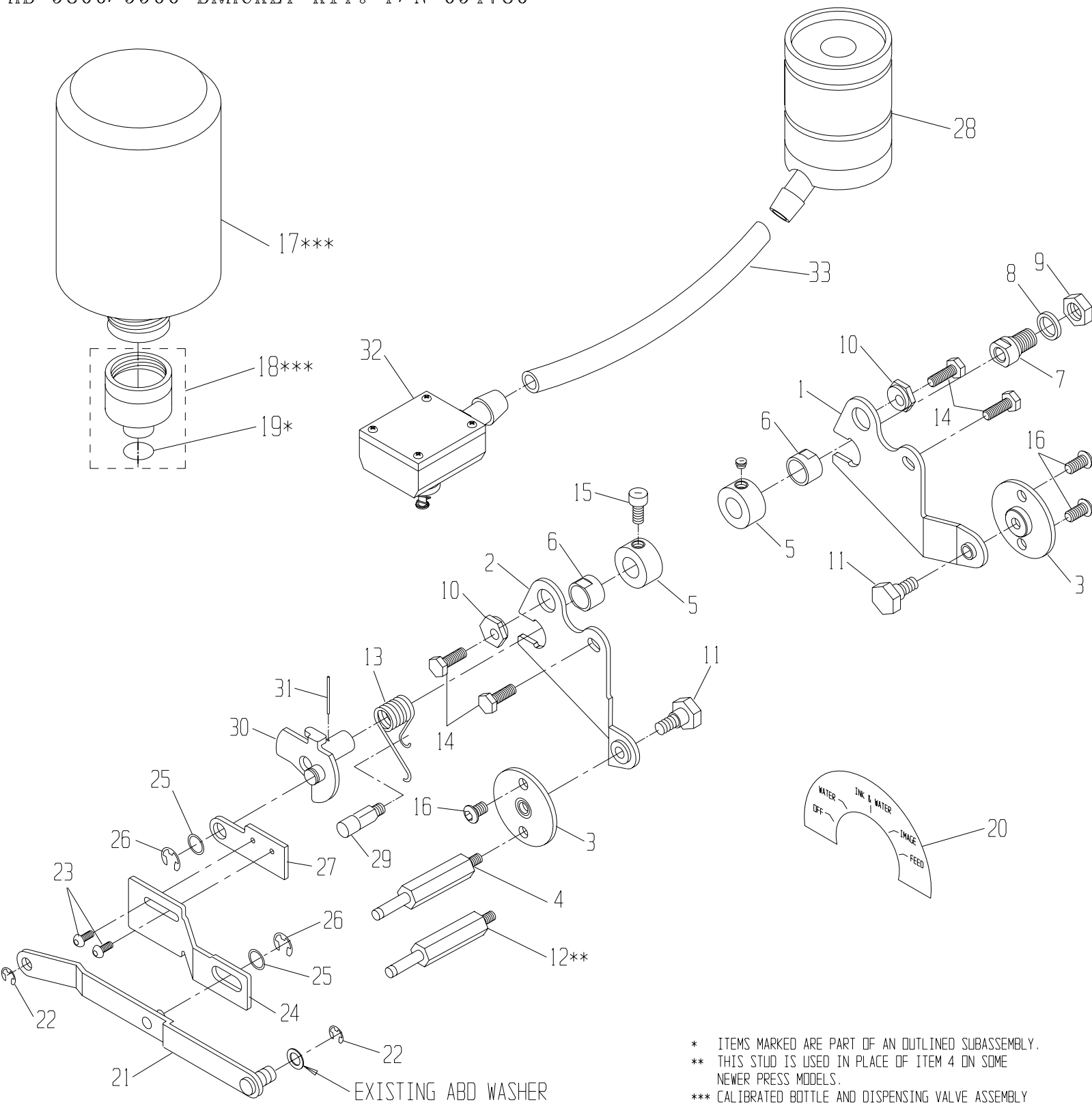


44	091888	M5 SET SCREW	2
43	091689	BELLEVILLE WASHER, M5	2
42	094365	PLATE GUIDE (13 INCHES)	**
41	091915	SCREW, LOW HD. 10-24 x .50	2
40	094984	GUIDE BAR	1
39	091649	SHOULDER SCREW, 1/4 x 1-1/4	2
38	092234	TAB	*
37	094997	BRACKET, NOZZLE	*
36	092415	THRUST WASHER	*
35	091949	SPRING PIN	*
34	091997	OSC. RETAINING CLIP	*
33	091965	OSC. RETAINING WASHER	*
32	091117	OSC. DRIVE SHAFT FOLLOWER	*
31	092259	TAB SPRING COVER	*
30	092236	TAB SPRING	*
29	091319	OSCILLATOR, 13-1/4", HARD	1
28	094996	TIE BAR	1
ITEM#	PART #	DESCRIPTION	QTY

* PART IS INCLUDED IN OUTLINED SUBASSEMBLY.
 ** ITEM #44 IS CUT TO 13" LENGTH

27	092601	SAFETY STICKER	1
26	092460	13" METERING ROLLER W/B	1
25	091907	#6-32 X 3/8 PHILLIPS HD SCW	*
24	092303	SHOULDER SCREW, SEAL PLATE	*
23	092304	GUIDE PIN	*
22	092604	COVER NOZZLE	*
21	092491	WAVE WASHER	2
20	092470	13" FORM ROLLER W/B	1
19	092940	GEAR CLUTCH ASSY, AB 8580	1
18	094987	I.D. STICKER (AB 990)	1
17	091853	#10-32 x 1.12 SOC. HD. SCREW	6
16	092401	BEARING (6000)	*
15	091813	#10-24 X 1/2 SET SCREW	2
14	091811	#10-24 X 1/4 SET SCREW	2
ITEM#	PART #	DESCRIPTION	QTY

13	091802	#3-48 X 1/4 FLAT HD SCREW	*
12	092238	COMPRESSION SPRING	*
11	092290	BACKING PLATE KIT (L & R)	1
10	092370	SEAL SET (L & R)	1
9	092291	ECCENTRIC	2
8	092612	METERING GAUGE	2
7	092007	SPRING, COMPRESSION	2
6	094991	OSCILLATOR POST	2
5	094995	TIE PLATE	1
4	098750	BRACKET NOZZLE ASSEMBLY	1
3	091219	ROLLER ALIGNMENT BLOCK	2
2	094994	END FRAME, L.H.	1
1	094993	END FRAME, R.H.	1
ITEM#	PART #	DESCRIPTION	QTY

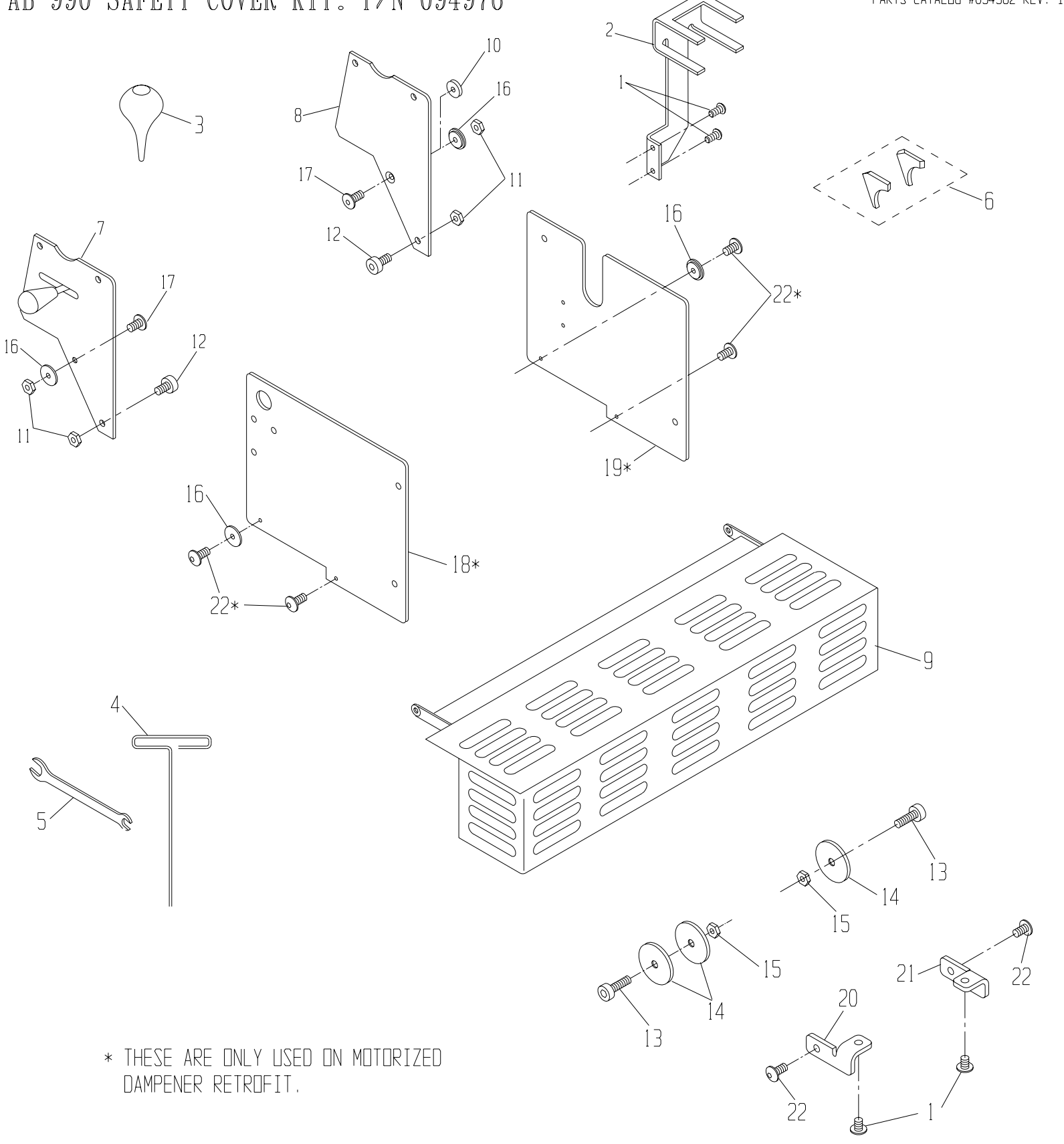


* ITEMS MARKED ARE PART OF AN OUTLINED SUBASSEMBLY.
 ** THIS STUD IS USED IN PLACE OF ITEM 4 ON SOME NEWER PRESS MODELS.
 *** CALIBRATED BOTTLE AND DISPENSING VALVE ASSEMBLY ARE NOT INCLUDED WITH BRACKET KIT, P/N 094780.

33.	094986	TUBING, 1/2 I.O.	1
32.	092750	ADAPTER BASE ASSY	1
31.	091943	3/32 x 1 ROLL PIN	1
30.	093787	POSITIVE STOP ASSY	1
29.	093809	POSITIVE STOP BOLT	1
28.	092740	BOTTLE VALVE ASSY	1
27.	093799	ABD SHORT LINK	1
26.	091995	E-RING, 3/8	2
25.	091956	SPACER WASHER	2
24.	093801	ABD LONG LINK	1
23.	091816	#10-24 x 3/8 BUTTON HD CAP SCW	2
ITEM	PART NO.	DESCRIPTION	QTY.

22.	091994	E-RING, 5/16	2
21.	093794	ABD FORM LINK ASSY	1
20.	093564	OPERATION STICKER	1
19.	092765	O-RING	*
18.	092760	DISPENSING VALVE ASSY	***
17.	092771	ROUND CALIBRATED BOTTLE	***
16.	091895	1/4-28 x 3/8 BUTTON HEAD SCREW	3
15.	091875	1/4-20 x 3/8 SOC HD CAP SCREW	1
14.	091867	1/4-20 x 1/2 HEX HEAD SCREW	4
13.	093811	TORSION SPRING	1
12.	094982	STUD, DETENT, 5/16 THREAD	1
ITEM	PART NO.	DESCRIPTION	QTY.

11.	093814	SHOULDER BOLT	2
10.	093543	BRACKET ECCENTRIC	2
9.	091980	7/16-20 NUT	1
8.	093612	BEARING BOLT SLEAVE	1
7.	093812	BEARING BOLT	1
6.	093818	ECCENTRIC SHAFT BUSHING	2
5.	091910	9/16 COLLAR	1
4.	093613	DETENT STUD	1
3.	093805	BOLT RETAINER ASSY	2
2.	090910	L.H. MOUNTING BRACKET ASSY	1
1.	090920	R.H. MOUNTING BRACKET ASSY	1
ITEM	PART NO.	DESCRIPTION	QTY.



* THESE ARE ONLY USED ON MOTORIZED DAMPENER RETROFIT.

22	091816	10-24 x 3/8 BUTTON HD CAP SCW	6
21	094977	L.H. GUARD SUPPORT	1
20	094972	R.H. GUARD SUPPORT	1
19	094988	L.H. BRACKET SUPPORT	1
ITEM	PART NO.	DESCRIPTION	QTY.

18	094978	R.H. BRACKET SUPPORT	1
17	091855	#10-32 x 5/8 FLAT HEAD SCREW	2
16	094136	SPACER	2
15	091932	1/4-20 NUT	2
14	091951	WASHER, FLAT	3
13	091859	1/4-20 x 3/4 BUT HD CAP SCREW	2
12	091842	#10-32 x 5/8 SOCKET HD CAP SCW	2
11	091969	#10-32 LOCK NUT	4
10	091952	SPACER	1
ITEM	PART NO.	DESCRIPTION	QTY.

9	094973	GUARD, AB 990	1
8	093602	L.H. GUARD SUPPORT BKT	1
7	093609	ASSY, LOCKOUT	1
6	092370	KOMPAC SEAL SET	1
5	093555	KOMPAC WRENCH	2
4	090755	3/32 T-WRENCH	1
3	092778	KOMPAC SYRINGE	1
2	094999	BRACKET, BOTTLE (AB 990)	1
1	091817	#10-24 x 1/4 BUTTON HD CAP SCW	4
ITEM	PART NO.	DESCRIPTION	QTY.