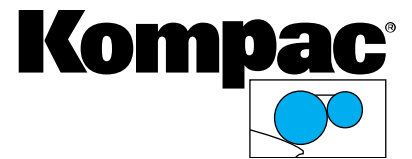


Kompac[®]



Date of Installation: _____

Unit Serial Number: _____

AB8800

Parts Catalog #90521 (Rev. C)

AB Dick Press Models:

8805, 8810, 8815, 8820
With Metal Safety Covers

Kompac Technologies, LLC
7 Commerce Street
Somerville, NJ 08876
P: (800) 541-5702 (Toll Free U.S. & Canada)
P: (908) 534-8411
F: (908) 534-8412
info@kompactech.com
www.kompactech.com

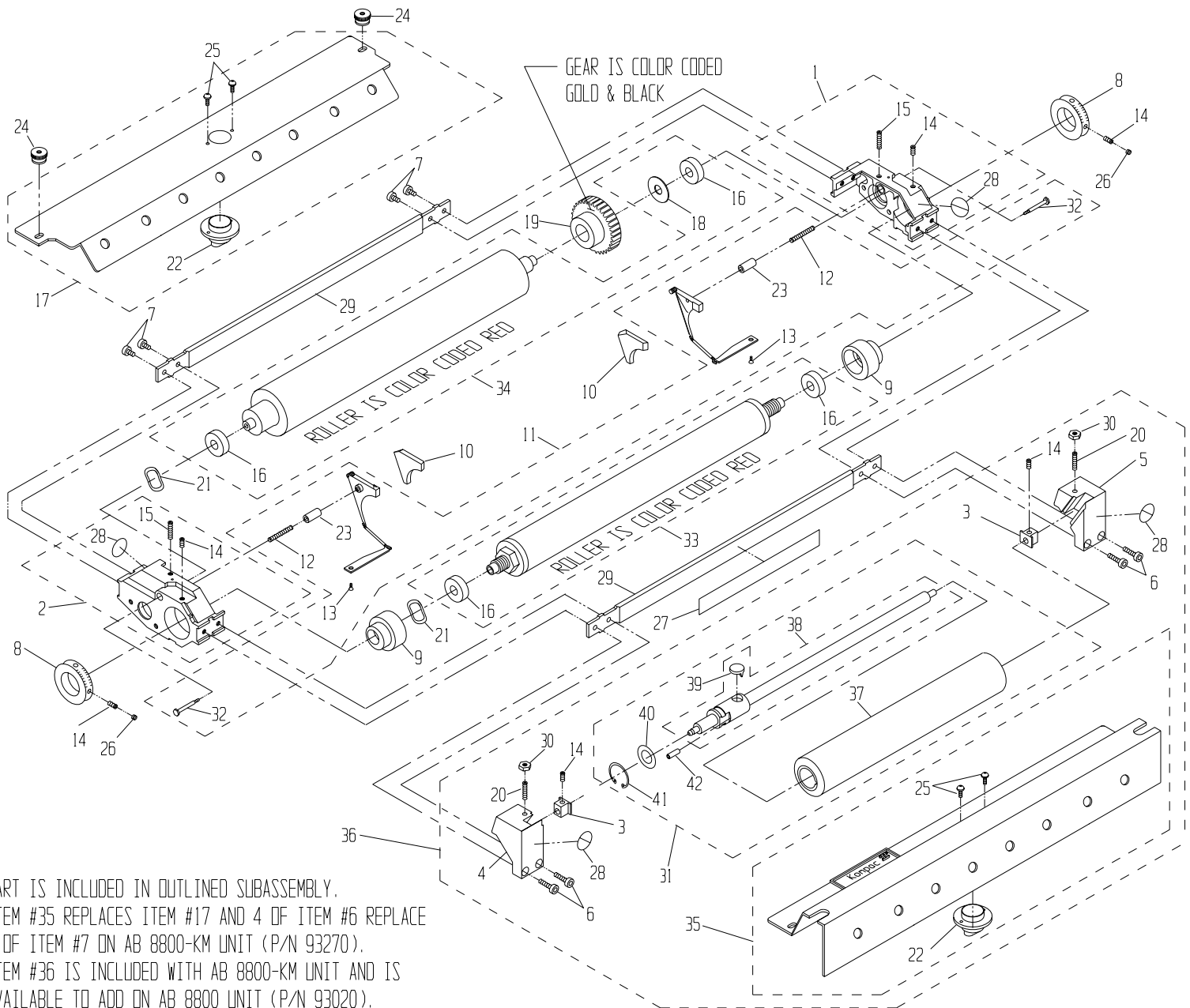
Last updated March 2010

AB 8800 PARTS CATALOG

P/N 090522

3-93

REV	DESCRIPTION	ECN	BY	DATE
A	UPDATED TO NEW PARTS CATALOG FORMAT	1050	MJC	11-10-94
B	ADDED P/N 94982 TO BRACKET KIT CATALOG	1143	P.M.	10-3-95
C	DN BRKT KIT, 091875 WAS 91870, 093609 WAS 93601	1451	P.M.	11-11-98



* PART IS INCLUDED IN OUTLINED SUBASSEMBLY.
 ** ITEM #35 REPLACES ITEM #17 AND 4 OF ITEM #6 REPLACE 4 OF ITEM #7 ON AB 8800-KM UNIT (P/N 93270).
 *** ITEM #36 IS INCLUDED WITH AB 8800-KM UNIT AND IS AVAILABLE TO ADD ON AB 8800 UNIT (P/N 93020).

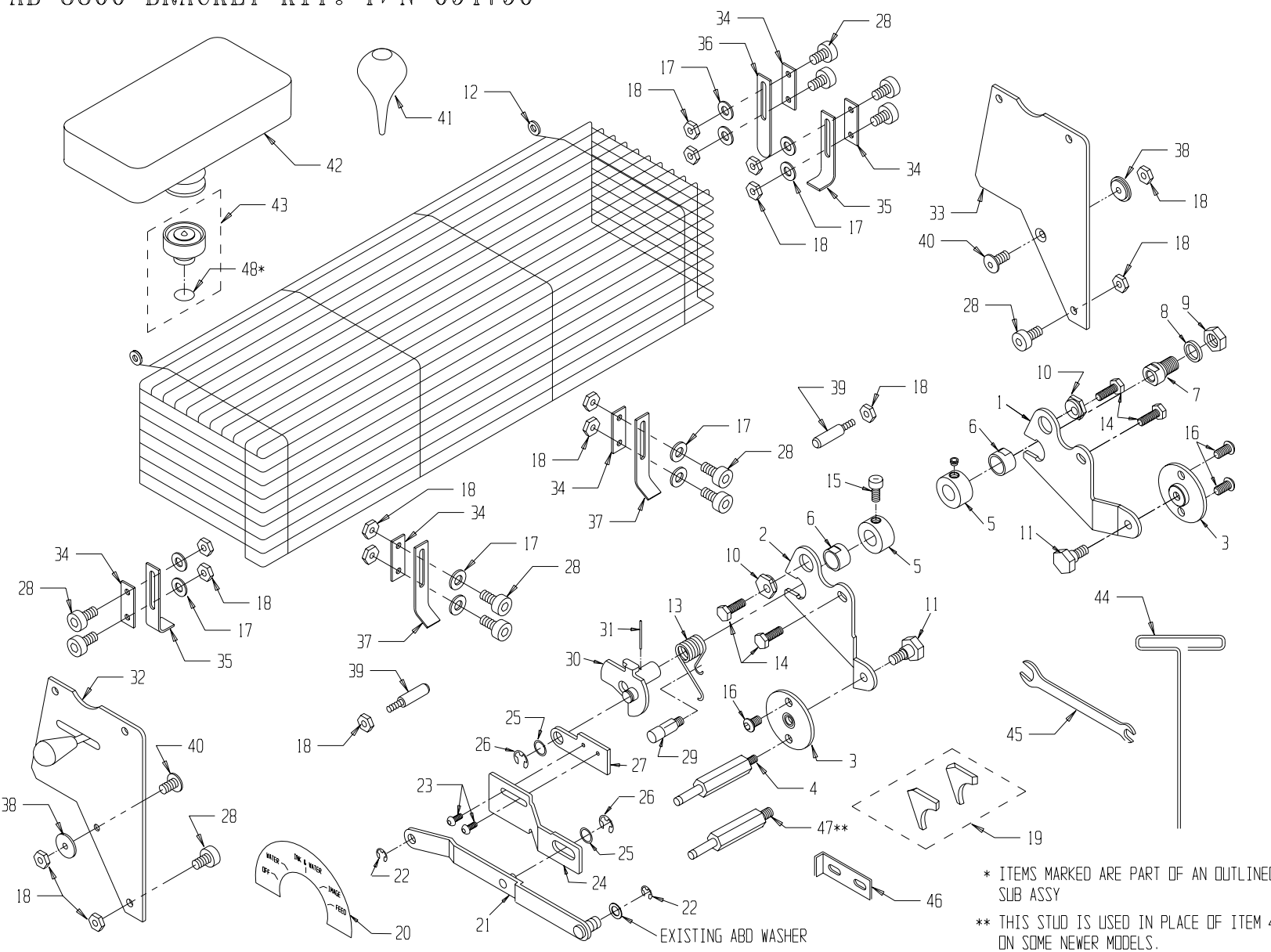
ITEM#	PART #	DESCRIPTION	QTY
42	91949	SPRING PIN	*
41	91997	OSC. RETAINING CLIP	*
40	91965	OSC. RETAINING WASHER	*
39	91111	OSC. DRIVE SHAFT FOLLOWER	*
38	91220	OSCILLATOR SHAFT ASSY, 11"	*
37	91120	OSCILLATOR ROLLER, 11"	*
36	96520	KOLORMATE MODEL 20	***
35	91320	11" OSC COVER ASSY	**
34	92430	11 1/8" FORM ROLLER W/B	1
33	92420	11 1/8" METERING ROLLER W/B	1
32	92303	SHOULDER SCREW	*
31	91302	11" OSC. ROLL. PARTS ASSY	1

30	91982	#10-32 NUT	2
29	92493	11" TIE BAR	2
28	92601	INWARD NIP SYMBOL	2 *
27	92494	WARNING STICKER	1
26	91810	#10-24 X 1/8 SLOT SET SCW	2
25	91806	#6-32 X 3/8 PHILLIPS HD SCW	*
24	92691	COVER NUT	2
23	92304	GUIDE PIN	*
22	92604	NOZZLE	*
21	92491	WAVE WASHER	2
20	91851	#10-32 x 1 SET SCREW	2
19	92940	GEAR CLUTCH ASSY, AB 8580	1
18	92415	THRUST WASHER	*
17	92600	11" COVER ASSEMBLY	**
16	92401	BEARING	*

15	91814	#10-24 X 3/4 STUD	*
14	91811	#10-24 X 1/4 SET SCREW	4 *
13	91802	#3-48 X 1/4 FLAT HD SCREW	*
12	92238	COMPRESSION SPRING	*
11	92290	BACKING PLATE KIT (L & R)	1
10	92370	SEAL SET (L & R)	1
9	92291	ECCENTRIC	2
8	92222	METERING GAUGE	2
7	91818	#10-24 x 3/8 SOCKET HD SCREW	8**
6	91829	#10-24 x 11/16 SDC HD SCREW	4**
5	91017	R.H. OSC. END BLOCK	1
4	91018	L.H. OSC. END BLOCK	1
3	91219	ALIGNMENT BLOCK	2
2	92210	L.H. END FRAME ASSY	1
1	92200	R.H. END FRAME ASSY	1

AB 8800 BRACKET KIT: P/N 094790

PARTS CATALOG #090522 REV C



* ITEMS MARKED ARE PART OF AN OUTLINED SUB ASSY
 ** THIS STUD IS USED IN PLACE OF ITEM 4 ON SOME NEWER MODELS.

ITEM	PART NO.	DESCRIPTION	QTY.
48.	092765	O-RING	*
47.	094982	STUD, DETENT, 5/16 THREAD	1
46.	094139	MAGNET SUPPORT	1
45.	093555	KOMPAC WRENCH	2
44.	090755	3/32 T-WRENCH	1
43.	092780	LOW PROFILE DISP. VALVE ASSY	1
42.	092777	LOW PROFILE BOTTLE	1
41.	092778	KOMPAC SYRINGE	1

40.	091855	#10-32 x 5/8 FLAT HEAD SCREW	2
39.	094137	RETAINING PIN	2
38.	094136	SPACER	2
37.	094135	ADJUSTABLE STOP	2
36.	094134	SWITCH BAR	1
35.	094133	ADJUSTING FOOT	2
34.	094132	BACKING PLATE, WIRE GUARD	5
33.	093602	L.H. GUARD SUPPORT BKT	1
32.	093609	ASSY, LOCKOUT	1
31.	091943	3/32 x 1 ROLL PIN	1
30.	093787	POSITIVE STOP ASSY	1
29.	093809	STOP BOLT	1
28.	091842	#10-32 x 5/8 SOCKET HD CAP SCW	12
27.	093799	AB DICK SHORT LINK	1
26.	091995	3/8 E-RING	2
25.	091956	SPACER WASHER	2
24.	093801	AB DICK LONG LINK	1
23.	091816	#10-24 x 3/8 BUTTON HD CAP SCW	2
22.	091994	5/16 E-RING	2
21.	093794	AB DICK FORM LINK ASSY	1

20.	093564	OPERATION STICKER	1
19.	092370	KOMPAC SEAL SET	1
18.	091969	#10-32 LOCK NUT	16
17.	091955	3/16 WASHER	10
16.	091895	1/4-28 x 3/8 BUTTON HEAD SCREW	3
15.	091875	1/4-20 x 3/8 SDC HD CAP SCREW	1
14.	091867	1/4-20 x 1/2 HEX HEAD SCREW	4
13.	093811	TORSION SPRING	1
12.	094000	WIRE GUARD ASSY, AB 8800	1
11.	093568	SHOULDER BOLT	2
10.	093543	BRACKET ECCENTRIC	2
9.	091980	7/16-20 NUT	1
8.	093612	BEARING BOLT SLEAVE	1
7.	093812	BEARING BOLT	1
6.	093818	ECCENTRIC SHAFT BUSHING	2
5.	091910	9/16 COLLAR	2
4.	093613	DETENT STUD	1
3.	093805	BOLT RETAINER ASSY	2
2.	093781	L.H. MOUNTING BRACKET	1
1.	093782	R.H. MOUNTING BRACKET	1